

VISION SWING HANDLE FOR OVAL CYLINDER



Swing handle for Scandinavian oval cylinder and cam. The handle is equipped with a soft cover to protect the cylinder from dust and rain. Cylinder is ordered separately.



MATERIAL

- Bolt:** Steel, zinc plated
- Dish:** Glass fibre reinforced polyamide (PA6GF30)
- Dust cover:** TPE
- Handle:** Glass fibre reinforced polyamide (PA6GF30)
- Nut:**
- Pivot shaft:** Brass, zinc plated
- Screw:** Steel, zinc plated
- Washer:** Steel, zinc plated

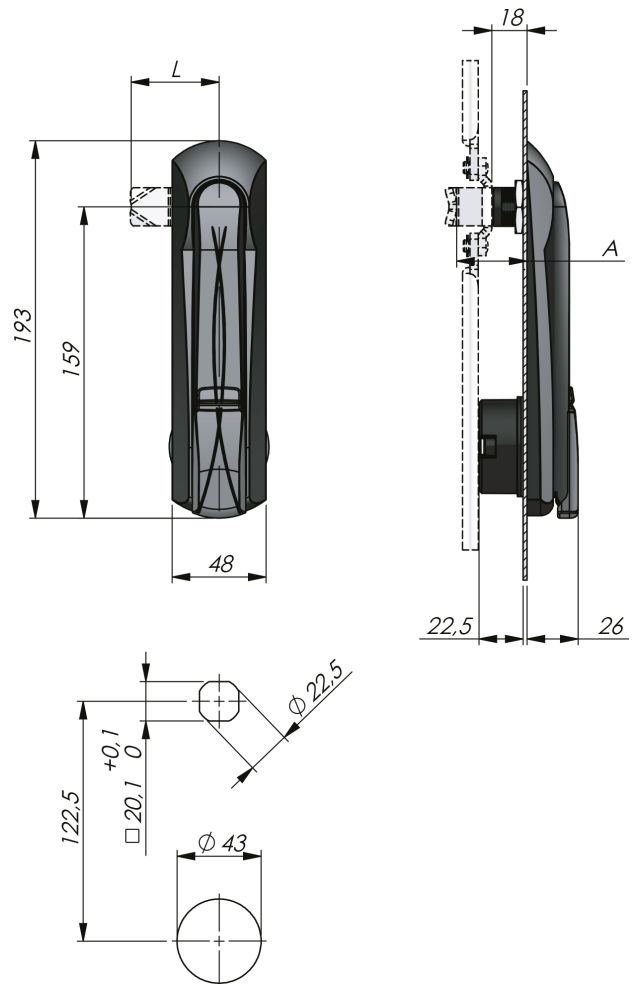
RELATED PRODUCTS

- Cams:** 1-008.50, 2-481
 - Rods:** 2-540, 2-541, 2-545
 - Rod guides:** 2-560, 2-570
 - Rod adapters:** 2-541
 - Cylinders:** 1-010
- Use the Index Code at industrilas.com

TECHNICAL INFORMATION

A and L on the drawing refer to measurements on cams (Product ID 1-008.50).

Standards:



P/N	Description
275001	Swing handle for 6- and 7-pin cylinder
275002	Swing handle for 5-pin cylinder